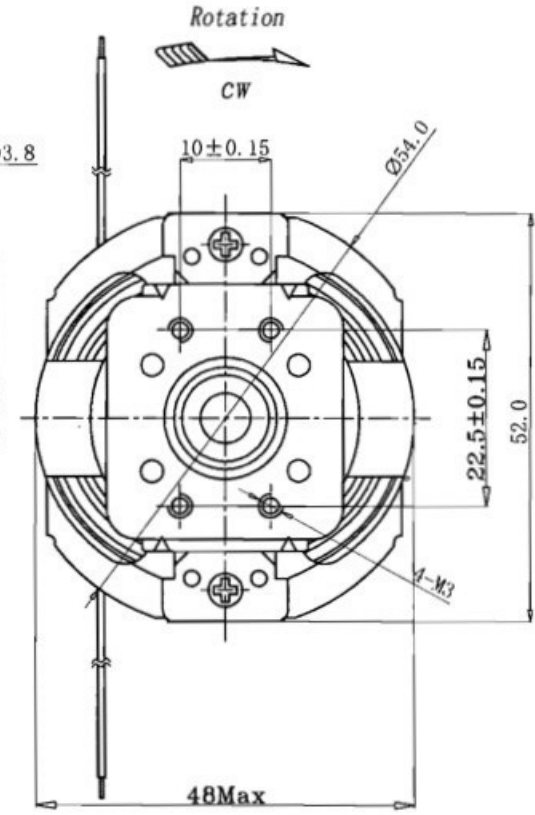
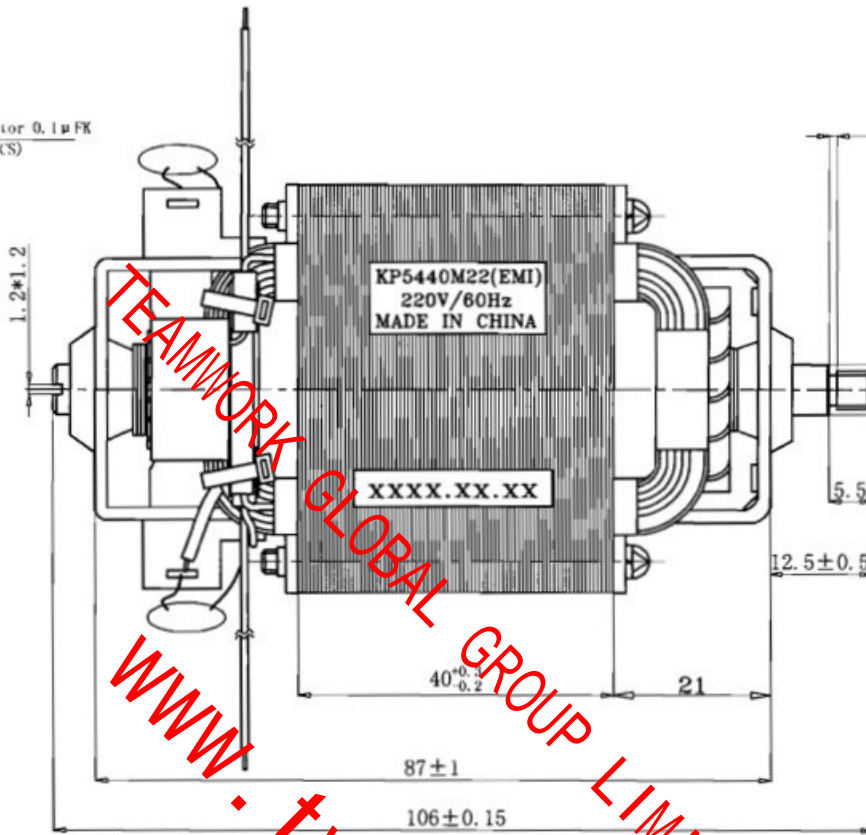
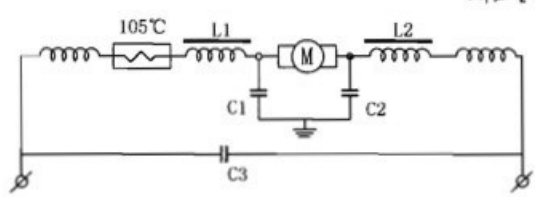


CIRCUIT DIAGRAM



TEAMWORK GLOBAL GROUP LIMITED
 WWW.TW-MOTOR.COM

- Note:
1. L1=L2=22 μ H, C1=C2=JYC Y102M, C3=Carli 0.1 μ FK 275V~X2, Thermostat: 17AMD 105°C;
 2. Stamp the date on the stator lamination;
 3. Marking as the drawing(stick on the thermostat);
 4. The head of Cable tie must near to stator lamination as drawing.

Permissible deviations for linear dimensions	
10	0.15
10 - 30	0.20
30 - 120	0.30
120 - 300	0.40
300 - 500	0.50
500 - 1000	0.60
1000 - 1500	0.70
1500 - 2000	0.80
2000 - 3000	1.00
3000 - 4000	1.20
4000 - 5000	1.50
5000 - 10000	2.00
10000 - 15000	2.50
15000 - 20000	3.00
20000 - 30000	4.00
30000 - 40000	5.00
40000 - 50000	6.00
50000 - 100000	8.00
100000 - 150000	10.00
150000 - 200000	12.00
200000 - 300000	15.00
300000 - 400000	20.00
400000 - 500000	25.00
500000 - 1000000	30.00
1000000 - 1500000	40.00
1500000 - 2000000	50.00
2000000 - 3000000	60.00
3000000 - 4000000	80.00
4000000 - 5000000	100.00

DWN. BY: <i>[Signature]</i>	CHK. BY:	APP. BY: <i>[Signature]</i>
Date (yyymmdd): 2011.07.24	Date (yyymmdd):	Date (yyymmdd):

MATERIAL: _____

FINISH: _____

General Tolerance: GB/T 1804-2008 Class m (Unless specified)

ALL DIMENSIONS ARE IN MILLIMETRES

TITLE: KP5440M22 (EMI)

DWG NO. _____ SHEET 1 OF 1

SHENZHEN ODIN IMPORT AND EXPORT CO.,LTD



Outgoing Inspection Specification



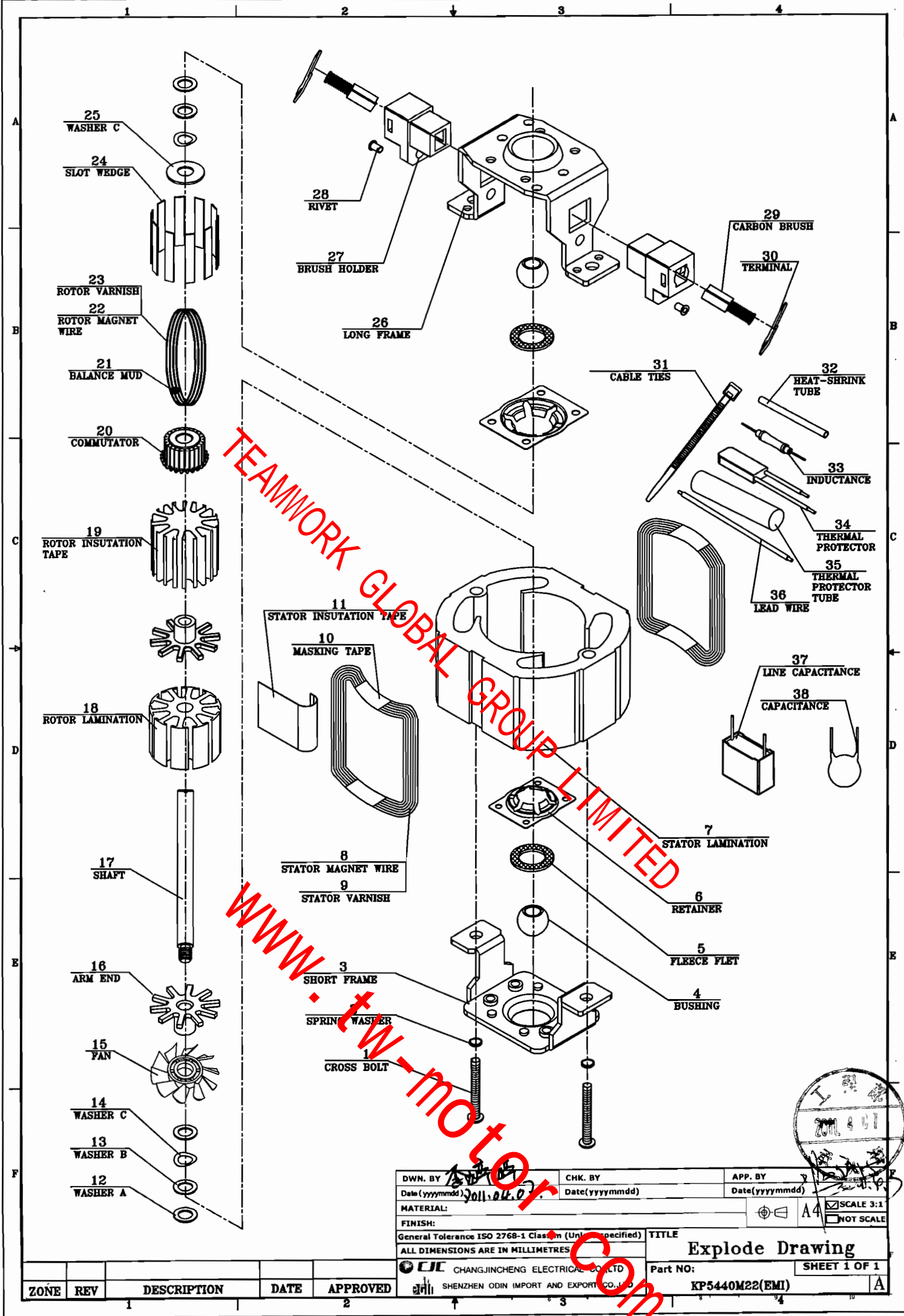
Motor Mode: KP5440M22 (EMI)

Number Code: RD002.110407-1

ITEM	DESCRIPTION	STANDARD	MEASURING EQUIPMENT	AQL	
1	Testing Voltage	220V/60Hz	Voltmeter	AQL1.0	
2	Stator Lamination Stack Height	40(+0.3, -0.2) mm	Cauper	AQL4.0	
3	Distance Between End of Brackets	87.8 ref. mm	Cauper	AQL4.0	
4	Shaft Extension Length Δ	12.5 \pm 0.5 mm	Cauper	AQL4.0	
5	End Play	0.3~1.2 mm	Cauper	AQL4.0	
6	Direction Of Rotation	Δ C.W	View	AQL4.0	
7	Thermal Protector	Δ 105 $^{\circ}$ C	View	AQL1.0	
8	Fan	Φ 6.35 \times Φ 27.5 \times 4x10P	View	AQL4.0	
9	Hi-Pot Test	1800V/5mA/16s	Hi-pot Tester	AQL1.0	
10	Spark (free load)	1.5 Class Max	View	AQL4.0	
11	Vibration	11.2 mm/s	Vibration Tester	AQL4.0	
12	Noise Level	\leq 86dB(A) at 1m working in unit	Noise Meter	AQL4.0	
13	Lead Wire	Δ UL1430 22AWG BLACK 2-1.50 \pm 10mm	Ruler	AQL4.0	
14	No Load Performance Δ	Speed (RPM)	22500 \pm 15%	Stroboscope	AQL4.0
		Power (W)	\leq 100	Wattmeter	AQL4.0
15	On Load Performance	Speed (RPM)		Stroboscope	AQL4.0
		Power (W)		Wattmeter	AQL4.0

Remark:

The Item Noted With " Δ " Is Special And Important
 Outline Drawing: KP5440M22 (EMI)



TEAMWORK GLOBAL GROUP LIMITED
 WWW.TW-MOTOR.COM

DWN. BY: <i>[Signature]</i>	CHK. BY: <i>[Signature]</i>	APP. BY: <i>[Signature]</i>
Date (yyyymmdd): 2011.04.07	Date (yyyymmdd):	Date (yyyymmdd):
MATERIAL:		<input checked="" type="checkbox"/> SCALE 3:1 <input type="checkbox"/> NOT SCALE
FINISH:		<input checked="" type="checkbox"/> A4
General Tolerance ISO 2768-1 Class m (Unless specified)		TITLE
ALL DIMENSIONS ARE IN MILLIMETRES		Explode Drawing
CHANGJINCHENG ELECTRICAL CO., LTD		Part No:
SHENZHEN ODIN IMPORT AND EXPORT CO., LTD		SHEET 1 OF 1
		KP5440M22(EMI)

ZONE	REV	DESCRIPTION	DATE	APPROVED
1				
2				
3				
4				